



DROMEAS

LINE

Metallic frame

Single metal frame. 65mm foam polyurethane is molded on all sides of the frame, which is lined with fabric or leather. The outer sides of the seat-back are covered with cast pressed thermoplastic material

Anatomical design

Anatomically designed seat-back according to EN 1335. Offers maximum comfort during long hours of work

Reclining mechanism

With the possibility of stabilization in 5 positions, anti-panic system and adjustment to the user's weight through a tilt adjustment rotor. Allows the seat / back to tilt by 11 °

Arms

Made of extruded nickel-plated aluminum. The contact surface of the arms is made of cast polyurethane of medium hardness for greater comfort and ergonomics



5-star base

Five-star base 660mm, made of die-cast aluminum electrostatically painted or polished

Twin wheels / Anti-slip soles

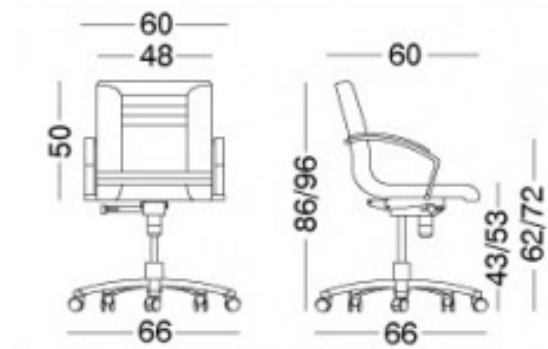
The wheels are twin made of reinforced thermoplastic material (polyamide). Fixed soles are optionally placed instead of the casters





DROMEAS

Dimensions:
Weight: 19 kg



Color chart:



Certificates:

- EN 1335-1:00
- EN 1335-2:00
- EN 1335-3:00
- DIN 4550 / 12.04

