



DROMEAS

DIAS

Back

12mm thick plywood with 70mm thick polyurethane foam and double-sided fabric

Seat

Tilting with mechanism high-durability and quiet operation

Arms

Made of molded steel sheet with fabric lining and 22mm thick MDF lid. They have an anti-panic system

Transverse center beam

From special profile aluminum triangular section 120x90mm. The seats are supported on it

Small table

Tilting with anti-panic mechanism



<https://www.dromeas.gr/>



The amphitheater seats of the DIAS series are ergonomic and their stylish appearance gives prestige to the amphitheater spaces that are placed.

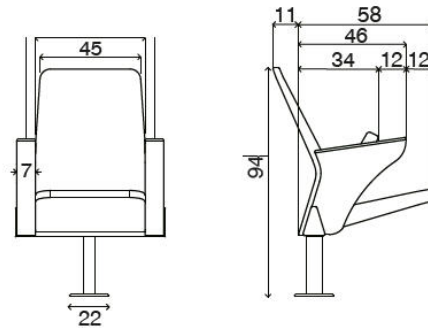




DROMEAS

DIMENSIONS

WEIGHT: 48,2kg



COLOR CHART:



CERTIFICATES

EN ISO 20354
EN 12727:00



<https://www.dromeas.gr/>